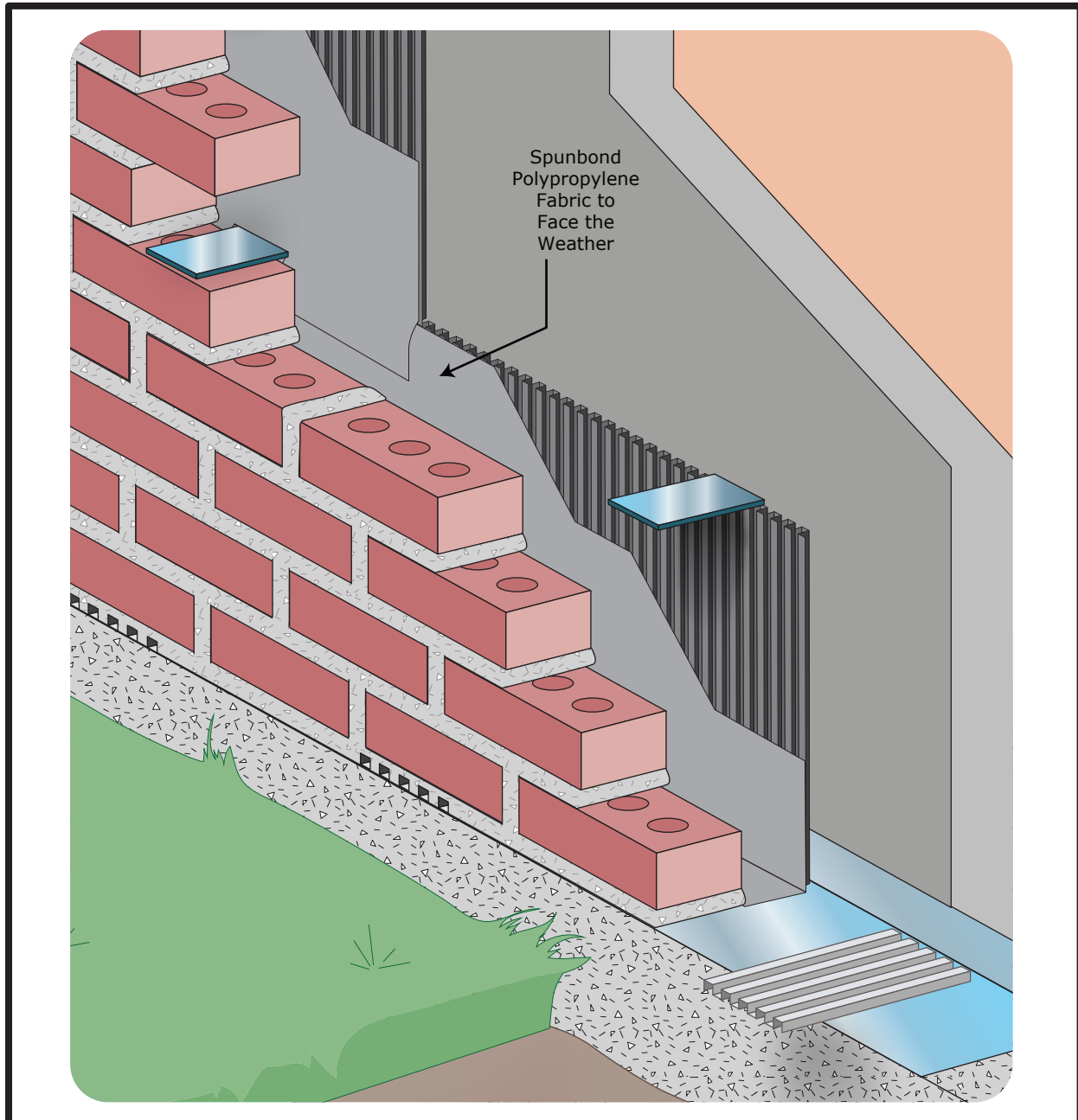


Building Envelope Moisture Management Solutions

Tuckpoint Retrofit Weep™ (TRW 1425)



The images above illustrate a variety of details that employ MTI's products. Please refer to the instructions on the back of this sheet and view full details and installation animations at <https://www.mtidry.com/hyperspecs>

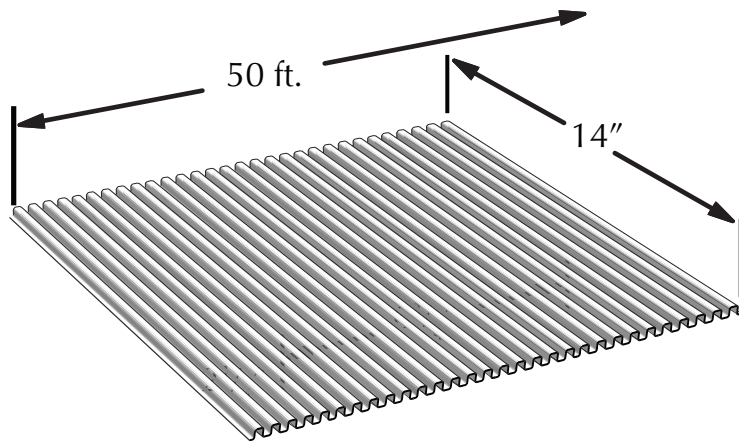
Copyright © 2015 Masonry Technology Incorporated, All Rights Reserved.

MTI CAD drawings are created from sources deemed to be reliable. However, MTI does not guarantee the accuracy or completeness of any information, nor shall be held responsible for any errors, omissions, or damages arising out of the use of this information. These drawings are created with the understanding that MTI is providing information but is not attempting to render engineering or other professional service. If such services are required, the assistance of an appropriate profession should be sought. Use MTI materials in strict conformance with local building codes and regulations. Consult local code/code officials prior to installation. It is the buyer's responsibility to ensure that MTI materials are used in strict conformance with local building codes and regulations.

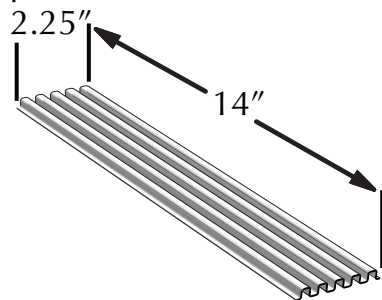
Building Envelope Moisture Management Solutions

What Tuckpoint Retrofit Weep™ Does:

- It forms the bottom side of the bed joint of mortar
- All weep holes are at the lowest point of cavity or core
- It is translucent in color and blends with mortar



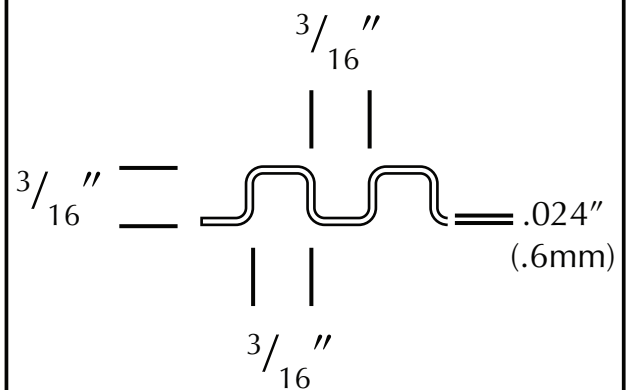
Pieces can be pre-cut to



How to Install Tuckpoint Retrofit Weep™:

- Space weeps no more than 10" On Center
- Place bed joint of mortar on Tuckpoint Retrofit Weep™
- Set masonry units on bed joint of mortar
- Tool joints and lightly score legs at face of wall and crack off by pushing downward while mortar is still plastic
- Finish tool joint and brush

Tuckpoint Retrofit Weep™ TRW 1425



MTI Pre-Cut Piece Ordering and Shipping Information

Product Number	TRW 1425
Units Per Box	100

Bulk Roll (Cut Your Own) Ordering and Shipping Information

Product Number	TRW 1425
Roll Length (Feet)	50